



# Solid Wood Shelf Drilling Instructions

## Tools Needed

Measuring tape  
Pencil  
Drill

## Parts Included

Self-centering jig  
Forstner drill bit guide - 1-1/4"  
Forstner drill bit guide - 1-3/4", 2-3/4"  
Auger drill bit guide - 9/16"  
Auger drill bit guide - 11/16"

1-1/4" forstner drill bit  
1-3/4" forstner drill bit  
2-3/4" forstner drill bit  
9/16" brad point auger drill bit  
11/16" brad point auger drill bit

## Installation Instructions

**Step 1:** Measure the distance between the baseplates mounted on the wall, measuring from the center of each baseplate. Mark the back of the shelf where it will be drilled for the brackets. Place the provided adhesive drilling template on the shelf following the instructions on the template.

**Step 2:** Secure the self-centering drilling jig

**A.** Place the main drilling jig assembly on the back of the shelf with the stems straddling the shelf. Align the edge of the drilling jig assembly with the curves on the mounting template, following the instructions on the template. Rotate the upper and lower parts of the jig until it is tight on the shelf.

**B.** Slide the knob/lever assembly against the upper part of the jig assembly and secure by turning the upper knob.

**C.** Rotate the lever to tighten the jig on the shelf.

**Step 3:**

**A.** Place the appropriate forstner drill bit (see chart below) into the matching forstner guide. Lock the drill bit in the drill, then lock the guide into the drilling jig. Drill approximately 5/8" into the back of the shelf.

**B.** To widen the notch, move the drilling jig approximately 1/4" to the right. Drill approximately 5/8" into the back of the shelf. Repeat on the other side of the first hole.

**Step 4:** Realign the drilling jig with the center hole, referencing the mounting template as necessary. Remove the forstner bit guide. Place the appropriate auger drill bit (see chart below) into the matching drill guide. Lock the drill bit in the drill, then lock the guide into the drilling jig and drill the hole. Drill 1/2" deeper than the overall length of the bracket (e.g. *drill at least 6-1/2" for the -06 bracket*).

Repeat for each shelf bracket.

Bracket	Forstner Drill Bit	Auger Drill Bit
1250	1-1/4"	9/16"
1762	1-3/4"	11/16"
2762	2-3/4"	11/16"



Discover more products by visiting us online. Just scan this **QR code** or visit **[www.innovashelf.com](http://www.innovashelf.com)** to find inspiration photos, bracket specs, other products, and information about purchasing more brackets or buying wholesale.

1

Mark shelf according to location of brackets and align template with mark.

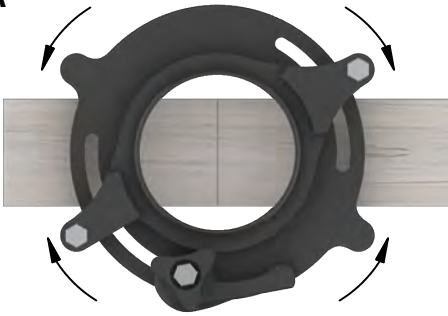


2

Secure jig on back of shelf aligning right side with line 1 of template. (See images below)



2 A



2 B

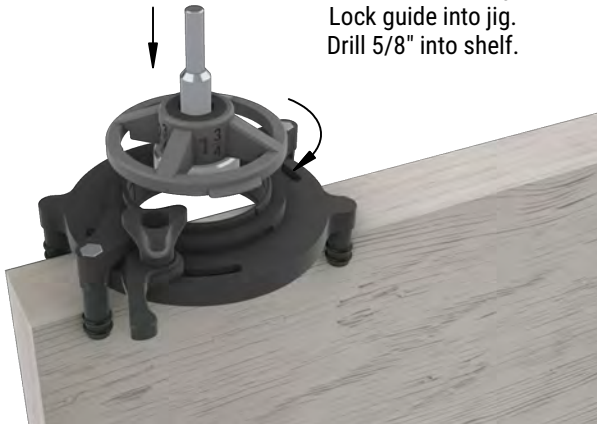


2 C



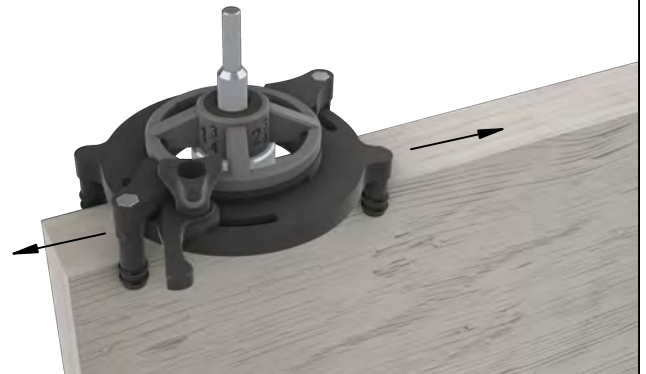
3 A

Place forstner bit into guide. Lock guide into jig. Drill 5/8" into shelf.



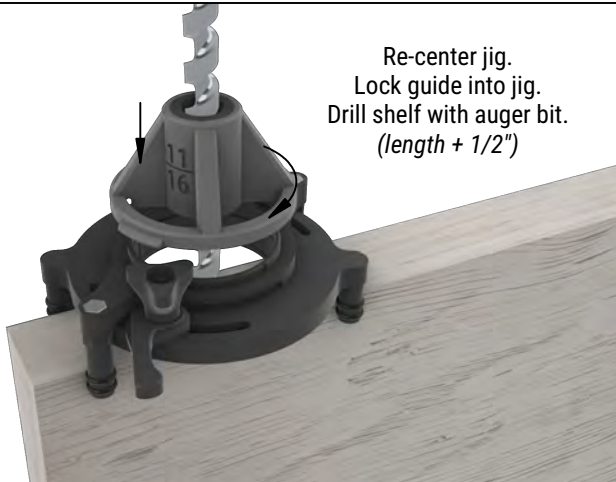
3 B

Repeat on both sides. Offset 1/4" in each direction.



4

Re-center jig. Lock guide into jig. Drill shelf with auger bit. (length + 1/2")



Completed hole will look like this.

